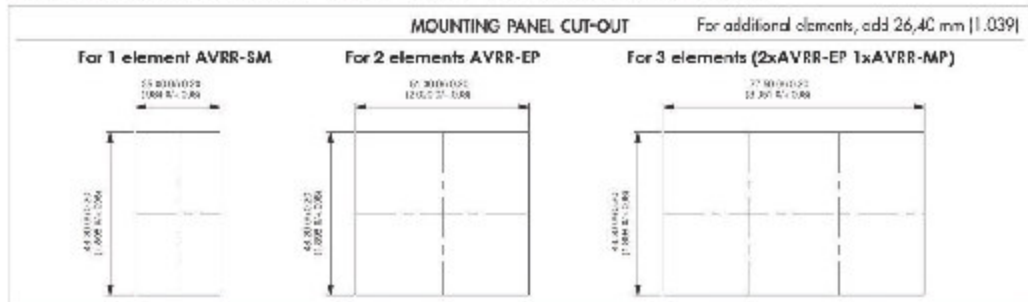


Recommended panel thickness : 1,10 mm 1,80 mm 2,60 mm 3,40 mm 4,20 mm 5 mm 5,80 mm



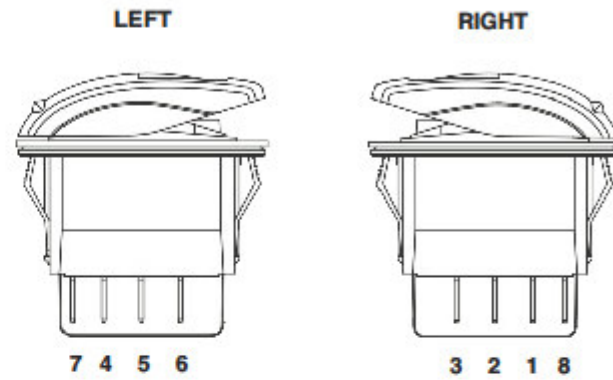
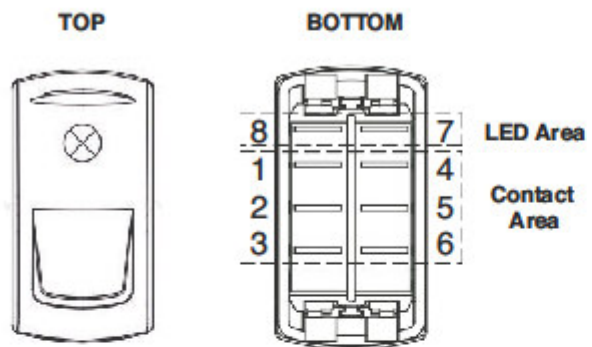
**ACTUATOR REMOVING TOOL**



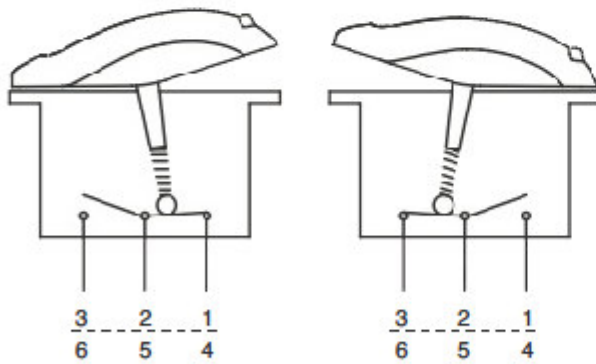
**EXTRACT ACTUATOR**  
 Allows the extraction of the rocker / rocker support assembly  
 Place the 2 claws under the support and push as indicated by the arrow.

**EXTRACT ROCKER**  
 Allows to separate the rocker from its support.  
 Insert the tool between rocker and support as indicated by the arrow. Pull out the tool in the opposite direction.

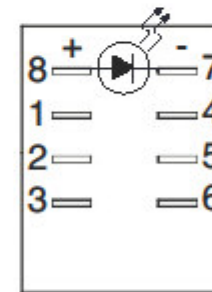
**EXTRACT SWITCH**  
 Allows to extract switch from panel mounting units. 2 tools are necessary.  
 Insert the tools between switch and panel mounting units from the rear to compress the strap in device. Pull off switch manually.



**SWITCH CONNECTION**

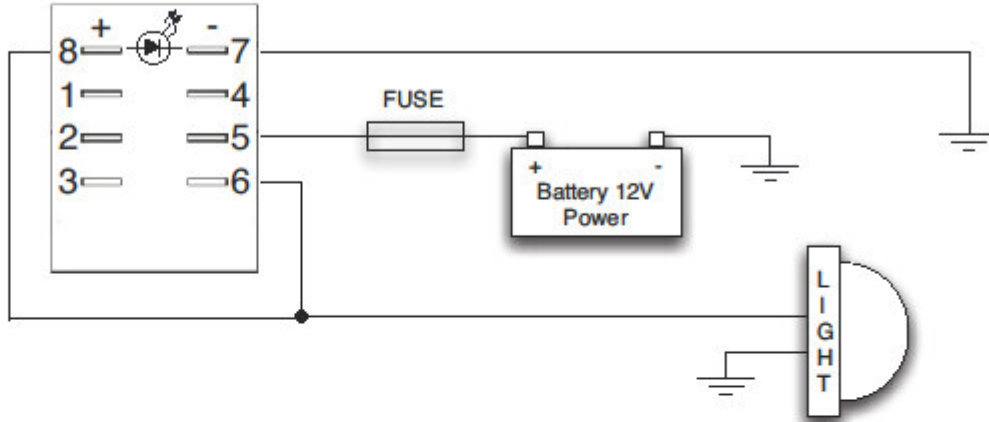
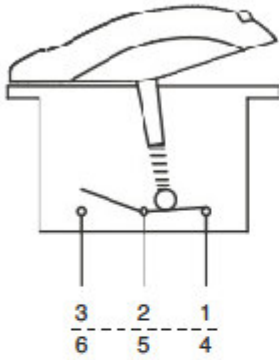


**LED CONNECTION**



**BASE SWITCH CONNECTION**

**OFF**



**ON**

